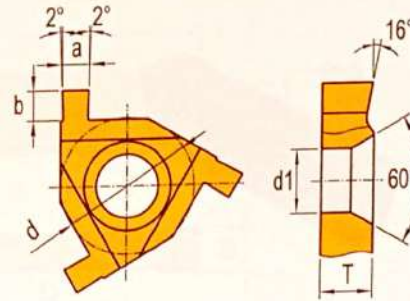


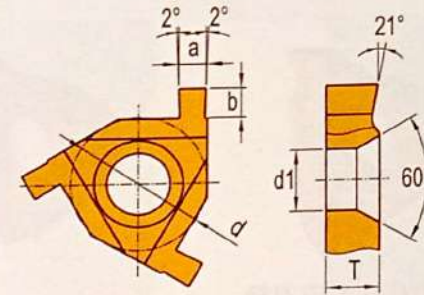
三角形平装外切槽刀片 Grooving Inserts(Standard Style) - External



适用于右外刀杆和左内刀杆
For right external and left internal holders

型号	尺寸 Size (mm)				
Order NO.	a $\begin{smallmatrix} +0.02 \\ 0 \end{smallmatrix}$	b	d	d1	T
11ER0.55×1.50	0.55	1.50	6.35	3.2	3.20
11ER0.60×1.50	0.60				
11ER0.70×1.50	0.70				
11ER0.80×1.50	0.80				
11ER0.90×1.50	0.90				
16ER1.10×1.3	1.10	1.30	9.525	4.0	3.65
16ER1.30×1.6	1.30	1.60			
16ER1.60×1.85	1.60	1.85			
16ER1.85×1.85	1.85	1.85			
16ER2.15×1.85	2.15	1.85			
22ER2.50×3.00	2.50	3.00	12.7	4.6	4.76
22ER2.80×2.80	2.80	2.80			
22ER3.00×2.80	3.00	2.80			
22ER3.20×2.50	3.20	2.50			
22ER3.80×2.20	3.80	2.20			

三角形平装内切槽刀片 Grooving Inserts(Standard Style) - Internal



适用于右内刀杆和左外刀杆
For right internal and left external holders

型号	尺寸 Size (mm)				
Order NO.	$a \begin{smallmatrix} +0.02 \\ 0 \end{smallmatrix}$	b	d	d1	T
11NR0.55×1.50	0.55	1.50	6.35	3.2	3.20
11NR0.60×1.50	0.60				
11NR0.70×1.50	0.70				
11NR0.90×1.50	0.90				
11NR1.00×1.20	1.00				
11NR1.20×1.00	1.20	1.00			
11NR1.50×1.00	1.50				
16NR1.10×1.30	1.10	1.30	9.525	4.0	3.65
16NR1.30×1.60	1.30	1.60			
16NR1.60×1.85	1.60	1.85			
16NR1.85×1.85	1.85				
16NR2.15×1.85	2.15				
22NR2.50×3.00	2.50	3.00	12.7	4.6	4.76
22NR2.80×2.80	2.80	2.80			
22NR3.00×2.50	3.00	2.50			
22NR3.80×2.20	3.80	2.20			